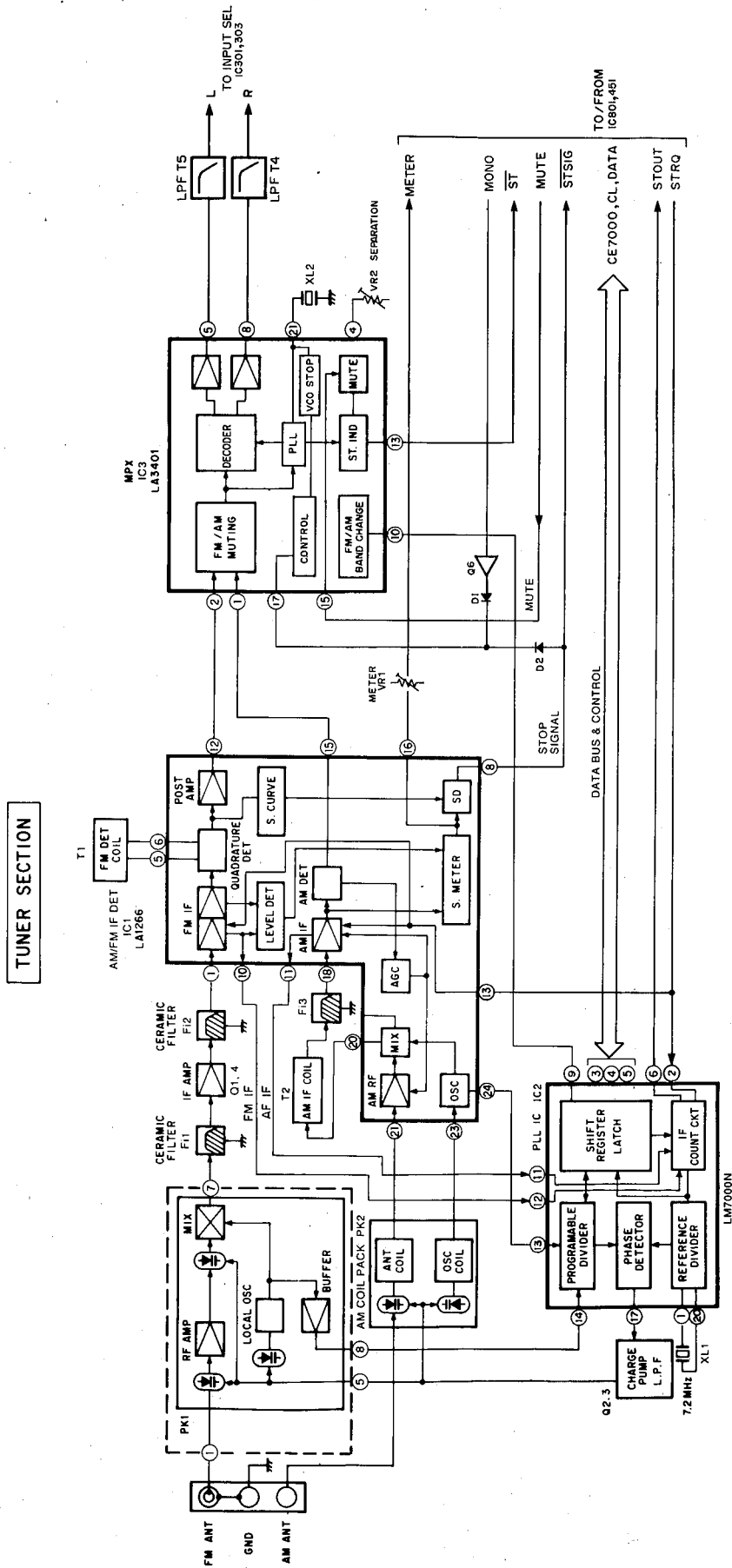
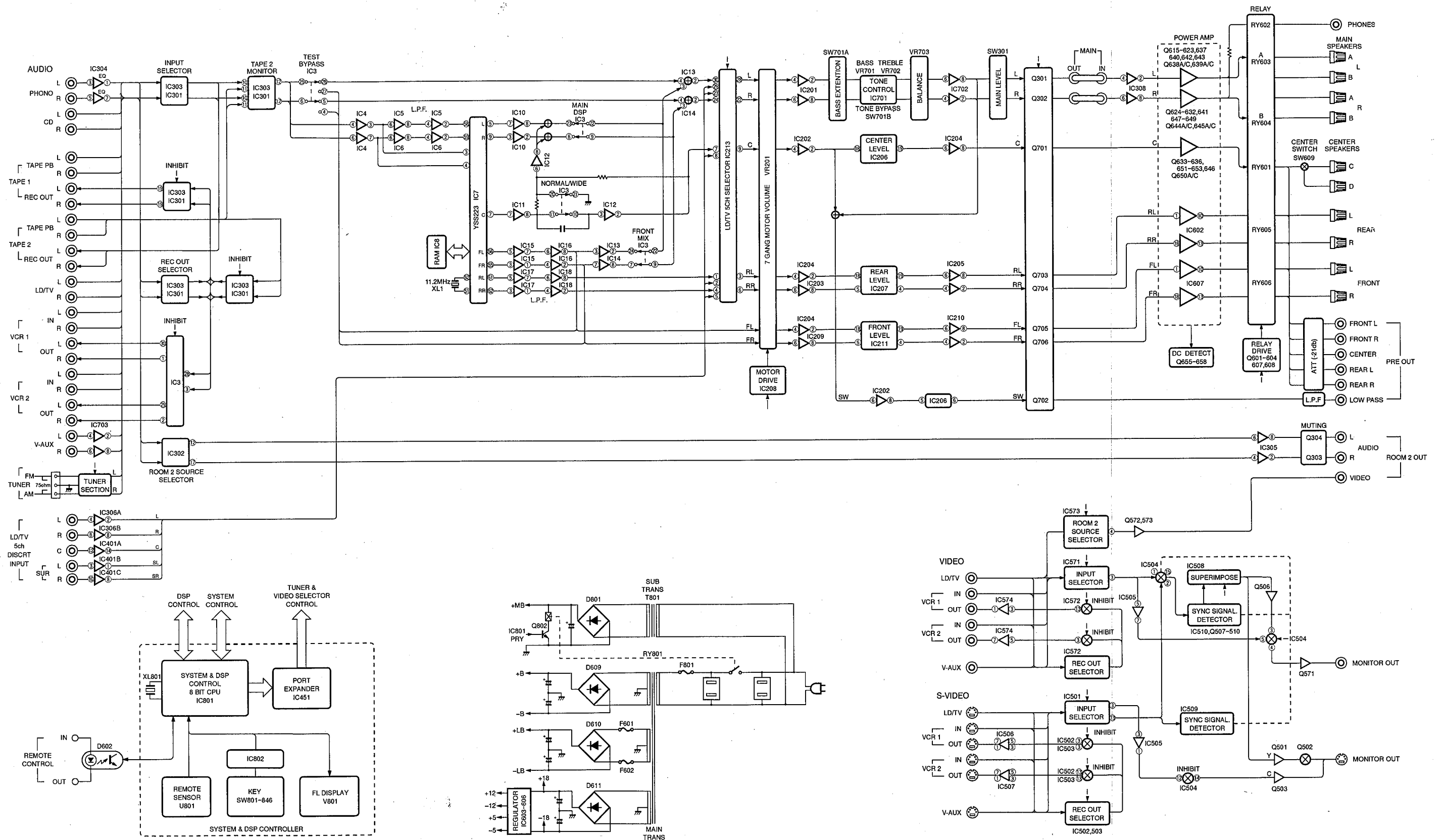


■ BLOCK DIAGRAM

RX-V2090



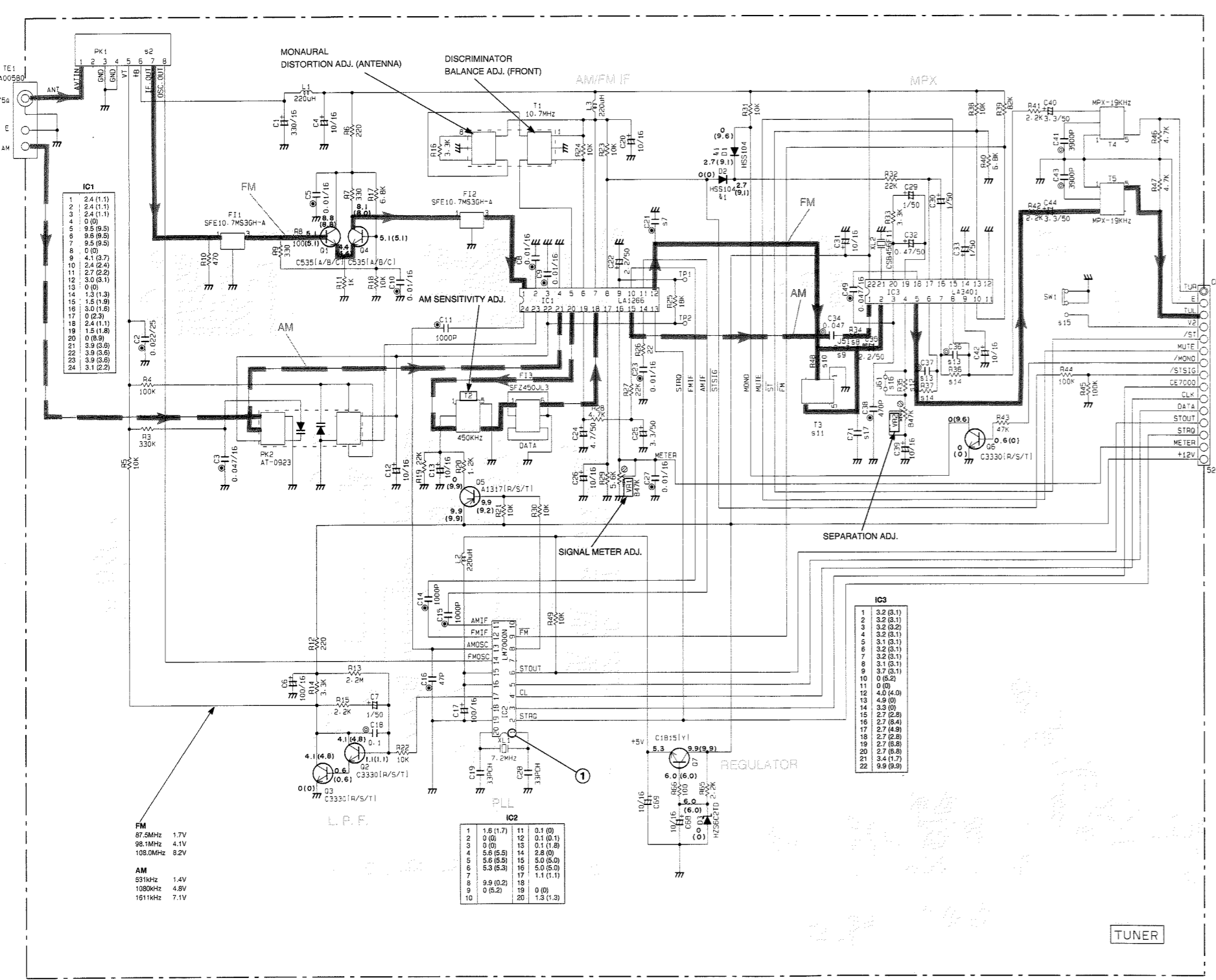
■ BLOCK DIAGRAM



■ SCHEMATIC DIAGRAM (TUNER & OPERATION)

①, ④ and ⑤: TEST POINT WAVEFORMS (See page 24)

Each voltage given here represents that in the FM (98.1MHz, STEREO) reception mode but the one in the parentheses () is that in the AM (1080kHz, MAN'L) reception mode.

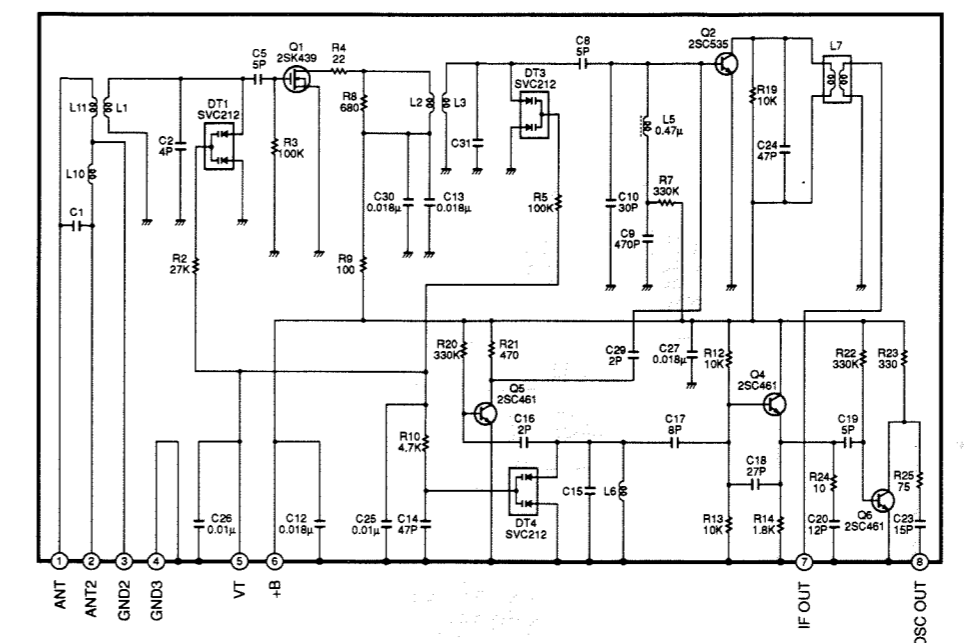


	U-C	R	A-B	5
1				
2	V92420	V92420	V92420	V92420
3				
4				
5				
6	C21	100P	100P	100P
7	C21	100P	100P	X
8	R34	10K	10K	10K
9	R51			4.7K
10	R48	X	X	X
11	R3	X	X	X
12	R19	20K	20K	20K
13	C26	37	400P	400P
14	R36	37	100K	100K
15	R41	X	V54120	X
16	R55	X	X	X
17	C71	X	X	120P

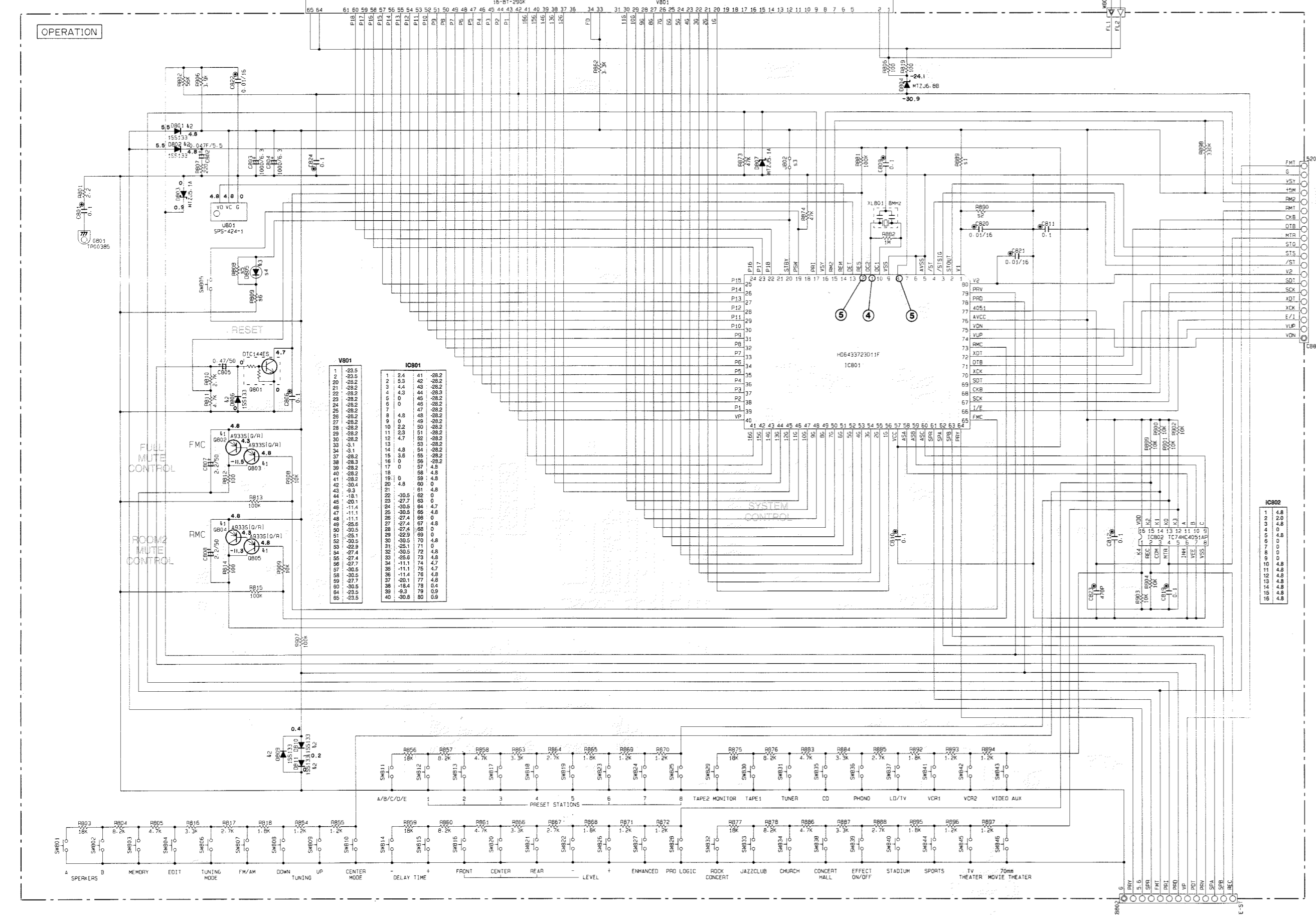
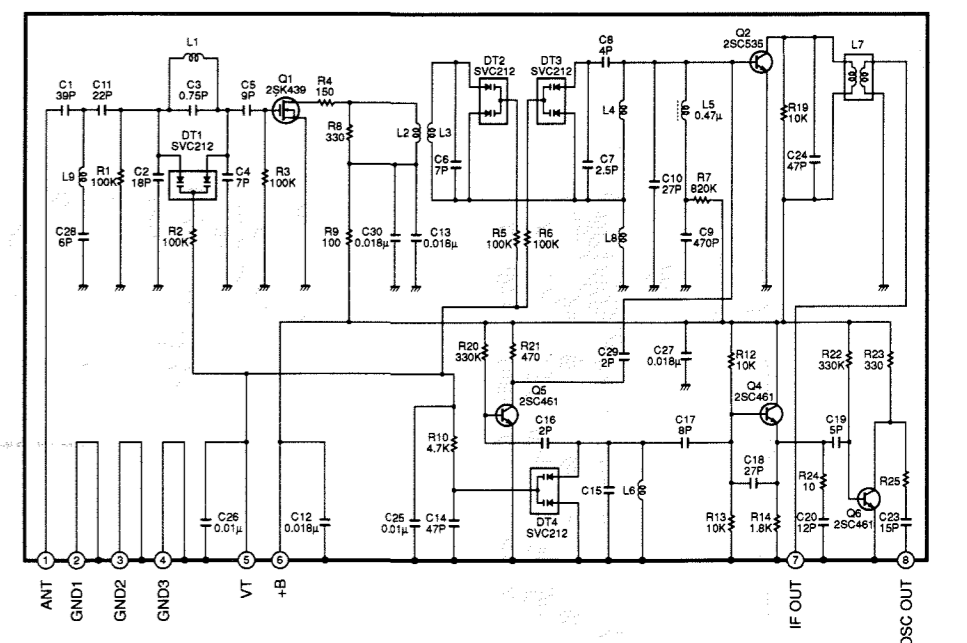
Interchangeable Parts at Manufacture Stage

Mark	Reference Parts Number	Parts Name
K1	D1-2	HS104
		HS133
		HS118

● Except G model
PK1 : ENV-17298GI (VR242200)



● G model
PK1 : ENV-17297GI (VQ987600)



CAPACITOR

REMARKS	PARTS NAME	FF
NO MARK	ELECTROLYTIC CAPACITOR	
NO MARK	TANTALUM CAPACITOR	
NO MARK	CERAMIC CAPACITOR	
●	CERAMIC TUBULAR CAPACITOR	
○	POLYESTER FILM CAPACITOR	
○	POLYSTYRENE FILM CAPACITOR	
○	MYLA CAPACITOR	
○	MICA CAPACITOR	
○	POLYPROPYLENE FILM CAPACITOR	
●	SEMICONDUCTIVE CERAMIC CAPACITOR	

RESISTOR

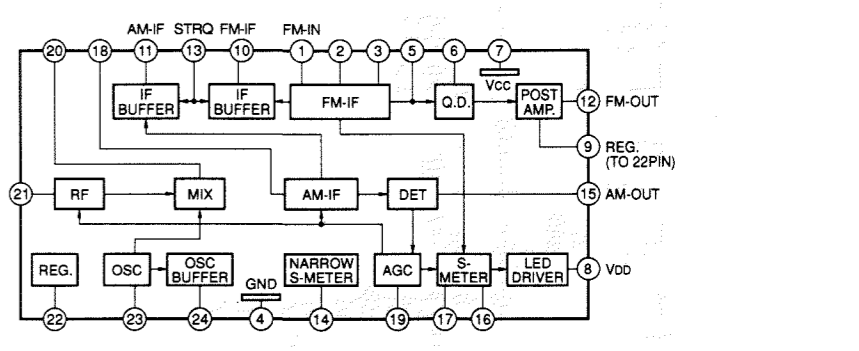
REMARKS	PARTS NAME	FF
NO MARK	CARBON FILM RESISTOR (P=1)	
△	CARBON FILM RESISTOR (P=10)	
△	METAL OXIDE FILM RESISTOR	
△	METAL FILM RESISTOR	
○	METAL DRIFT RESISTOR	
○	FINE-STRIP CARBON FILM RESISTOR	
○	CEMENT WOUND RESISTOR	
○	SEMI-VARIABLE RESISTOR	
■	CHIP RESISTOR	

Interchangeable Parts at Manufacture Stage

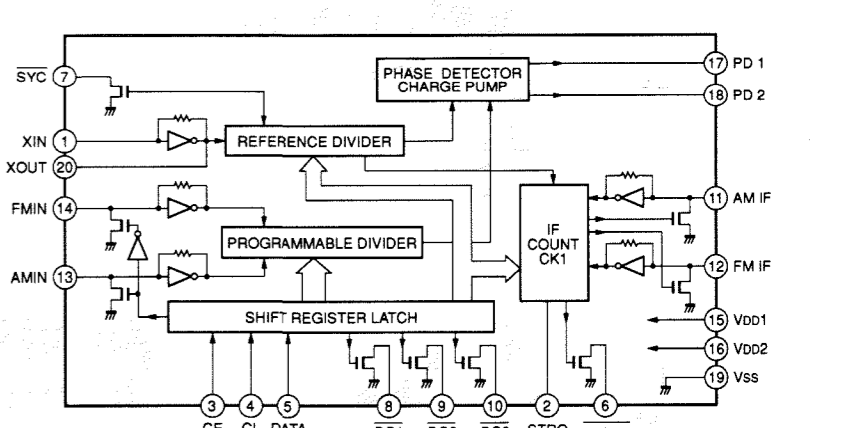
Mark	Reference Parts Number	Parts Name
K1	0902-805	PS4333(S/P)
		PS4389(S/P)
K2	0901-802-805-R0P-011	HS133
		HS1241
K3	0905	SLP-3030(S47)
		SLP-3041(S1)

Capacitor No.	U-C-A	R	L
1	28099	10K	20K
2	18099	10K	5.5K
3	18002	X	27K
4	18005	X	SUB-SPECIAT
5	18008	X	100K
6	18009	X	27K
7			
8			
9			
10			
11			
12			
13			
14			
15			
16			
17			
18			
19			
20			
21			
22			
23			
24			
25			
26			
27			
28			
29			
30			
31			
32			
33			
34			
35			
36			
37			
38			
39			
40			
41			
42			
43			
44			
45			
46			
47			
48			
49			
50			
51			
52			
53			
54			
55			
56			
57			
58			
59			
60			
61			
62			
63			
64			
65			
66			
67			
68			
69			
70			
71			
72			
73			
74			
75			
76			
77			
78			
79			
80			
81			
82			
83			
84			
85			
86			
87			
88			
89			
90			
91			
92			
93			
94			
95			
96			
97			
98			
99			
100			

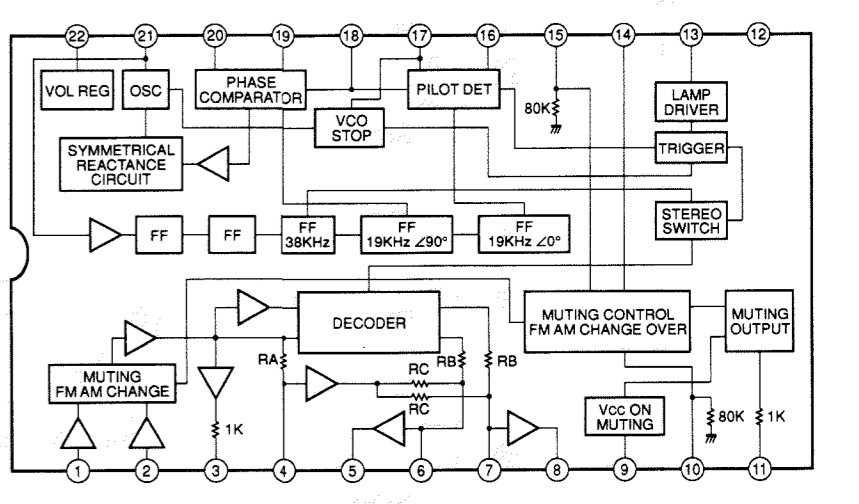
IC1 : LA1266
AM/FM IF



IC2 : LM7000N
PLL Controller



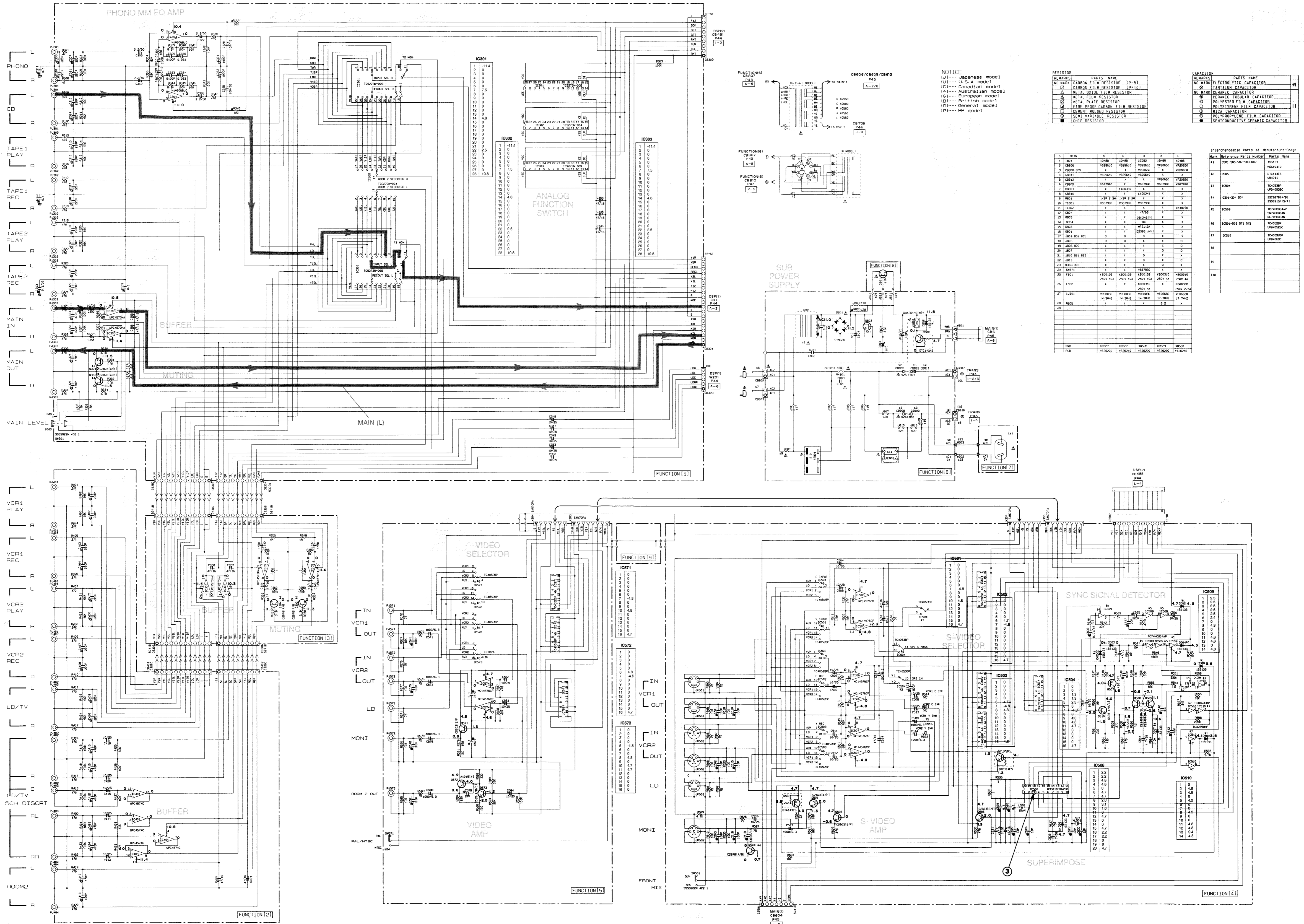
IC3 : LA3401
MPX



All voltages are measured with a 10MΩ/DC electric volt meter. Components having special characteristics are marked Δ and must be replaced with parts having specifications equal to those originally installed. Schematic diagram is subject to change without notice.

■ SCHEMATIC DIAGRAM (FUNCTION)

③ : TEST POINT WAVEFORMS (See page 24)



NOTICE
 (J)..... Japanese mode)
 (U)..... U.S.A mode)
 (C)..... Canadian mode)
 (A)..... Australian mode)
 (G)..... European mode)
 (B)..... British mode)
 (E)..... General mode)
 (P)..... PSP mode)

RESISTOR	REMARKS	PARTS NAME
NO MARK	CARBON FILM RESISTOR (P=5)	RES133
Ω	CARBON FILM RESISTOR (P=10)	RES134
△	METAL GLAZE FILM RESISTOR	RES135
■	METAL FILM RESISTOR	RES136
□	METAL GLAZE RESISTOR	RES137
○	FIBRE PROF. CARBON FILM RESISTOR	RES138
◇	THICK FILM RESISTOR	RES139
●	SEMICONDUCTOR RESISTOR	RES140
○	CHIP RESISTOR	RES141

CAPACITOR	REMARKS	PARTS NAME
NO MARK	ELECTROLYTIC CAPACITOR	CAP133
○	TANTALUM CAPACITOR	CAP134
△	METAL GLAZE CERAMIC CAPACITOR	CAP135
■	CERAMIC 100V/50V CAPACITOR	CAP136
□	POLYESTER FILM CAPACITOR	CAP137
◇	POLYSTYRENE FILM CAPACITOR	CAP138
○	MICA CAPACITOR	CAP139
◇	POLYPROPYLENE FILM CAPACITOR	CAP140
●	SEMICONDUCTIVE CERAMIC CAPACITOR	CAP141

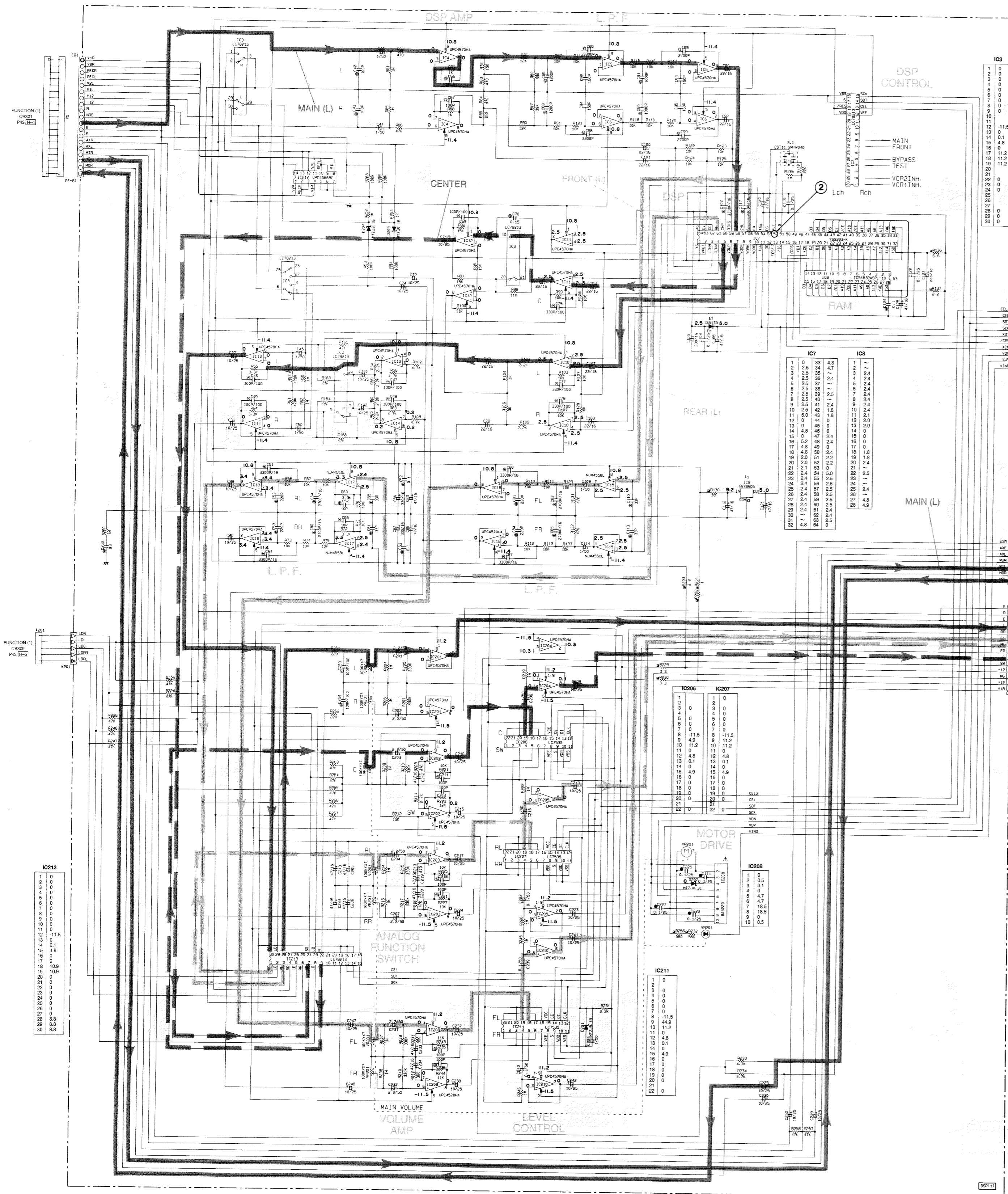
NO.	MARK	V	C	R	X	L
1	RES1	10000	10000	10000	10000	10000
2	RES2	10000	10000	10000	10000	10000
3	RES3	10000	10000	10000	10000	10000
4	RES4	10000	10000	10000	10000	10000
5	RES5	10000	10000	10000	10000	10000
6	RES6	10000	10000	10000	10000	10000
7	RES7	10000	10000	10000	10000	10000
8	RES8	10000	10000	10000	10000	10000
9	RES9	10000	10000	10000	10000	10000
10	RES10	10000	10000	10000	10000	10000
11	RES11	10000	10000	10000	10000	10000
12	RES12	10000	10000	10000	10000	10000
13	RES13	10000	10000	10000	10000	10000
14	RES14	10000	10000	10000	10000	10000
15	RES15	10000	10000	10000	10000	10000
16	RES16	10000	10000	10000	10000	10000
17	RES17	10000	10000	10000	10000	10000
18	RES18	10000	10000	10000	10000	10000
19	RES19	10000	10000	10000	10000	10000
20	RES20	10000	10000	10000	10000	10000
21	RES21	10000	10000	10000	10000	10000
22	RES22	10000	10000	10000	10000	10000
23	RES23	10000	10000	10000	10000	10000
24	RES24	10000	10000	10000	10000	10000
25	RES25	10000	10000	10000	10000	10000
26	RES26	10000	10000	10000	10000	10000
27	RES27	10000	10000	10000	10000	10000
28	RES28	10000	10000	10000	10000	10000
29	RES29	10000	10000	10000	10000	10000

Interchangeable Parts at Manufacture-Stage	Part No.	Part Name
1	RES1	10000
2	RES2	10000
3	RES3	10000
4	RES4	10000
5	RES5	10000
6	RES6	10000
7	RES7	10000
8	RES8	10000
9	RES9	10000
10	RES10	10000
11	RES11	10000
12	RES12	10000
13	RES13	10000
14	RES14	10000
15	RES15	10000
16	RES16	10000
17	RES17	10000
18	RES18	10000
19	RES19	10000
20	RES20	10000
21	RES21	10000
22	RES22	10000
23	RES23	10000
24	RES24	10000
25	RES25	10000
26	RES26	10000
27	RES27	10000
28	RES28	10000
29	RES29	10000

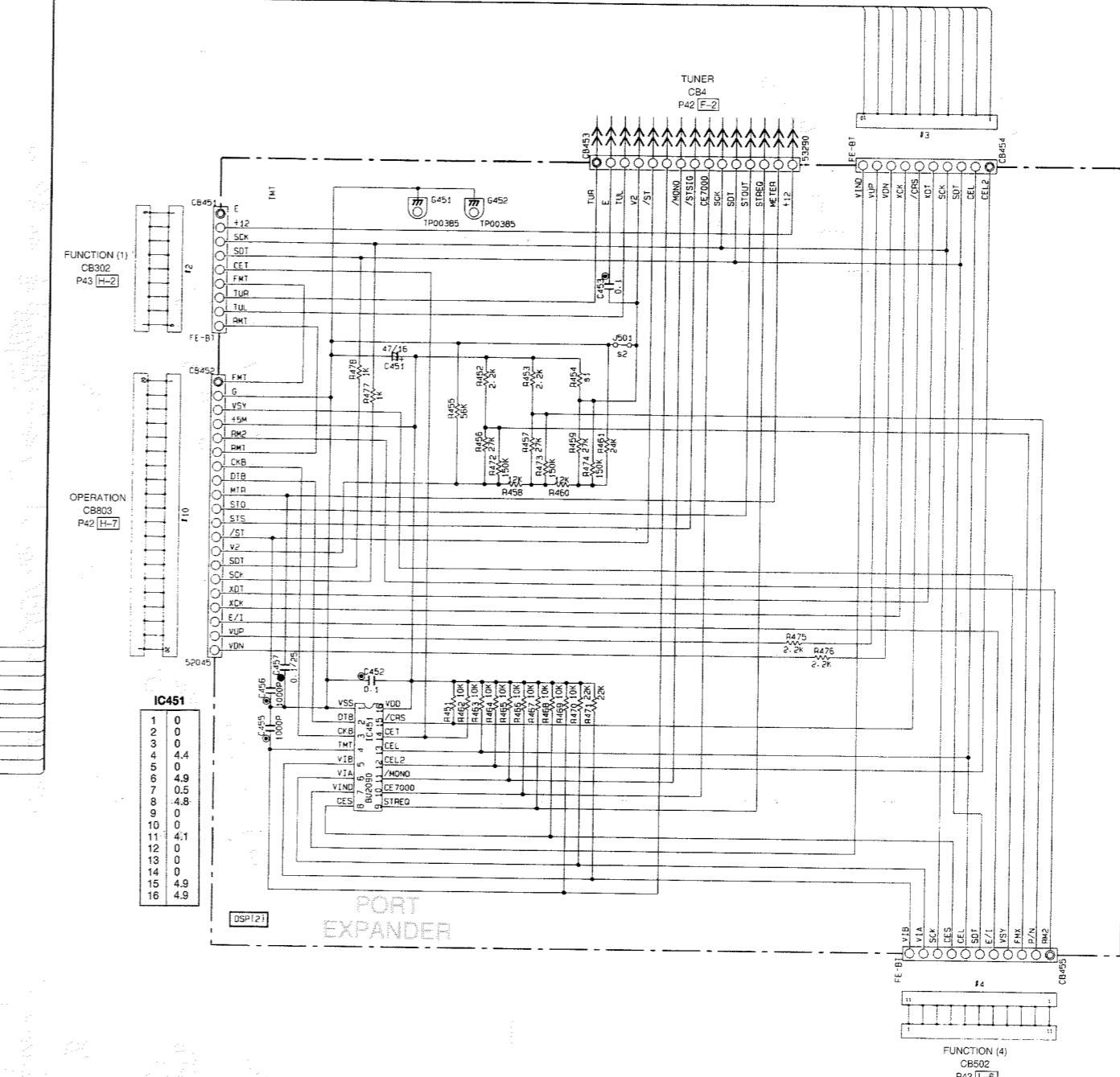
* All voltage are measured with a 10MΩ/DC electric volt meter.
 * Components having special characteristics are marked △ and must be replaced with parts having specifications equal to those originally installed.
 * Schematic diagram is subject to change without notice.

SCHEMATIC DIAGRAM (DSP)

② : TEST POINT WAVEFORMS (See page 24)

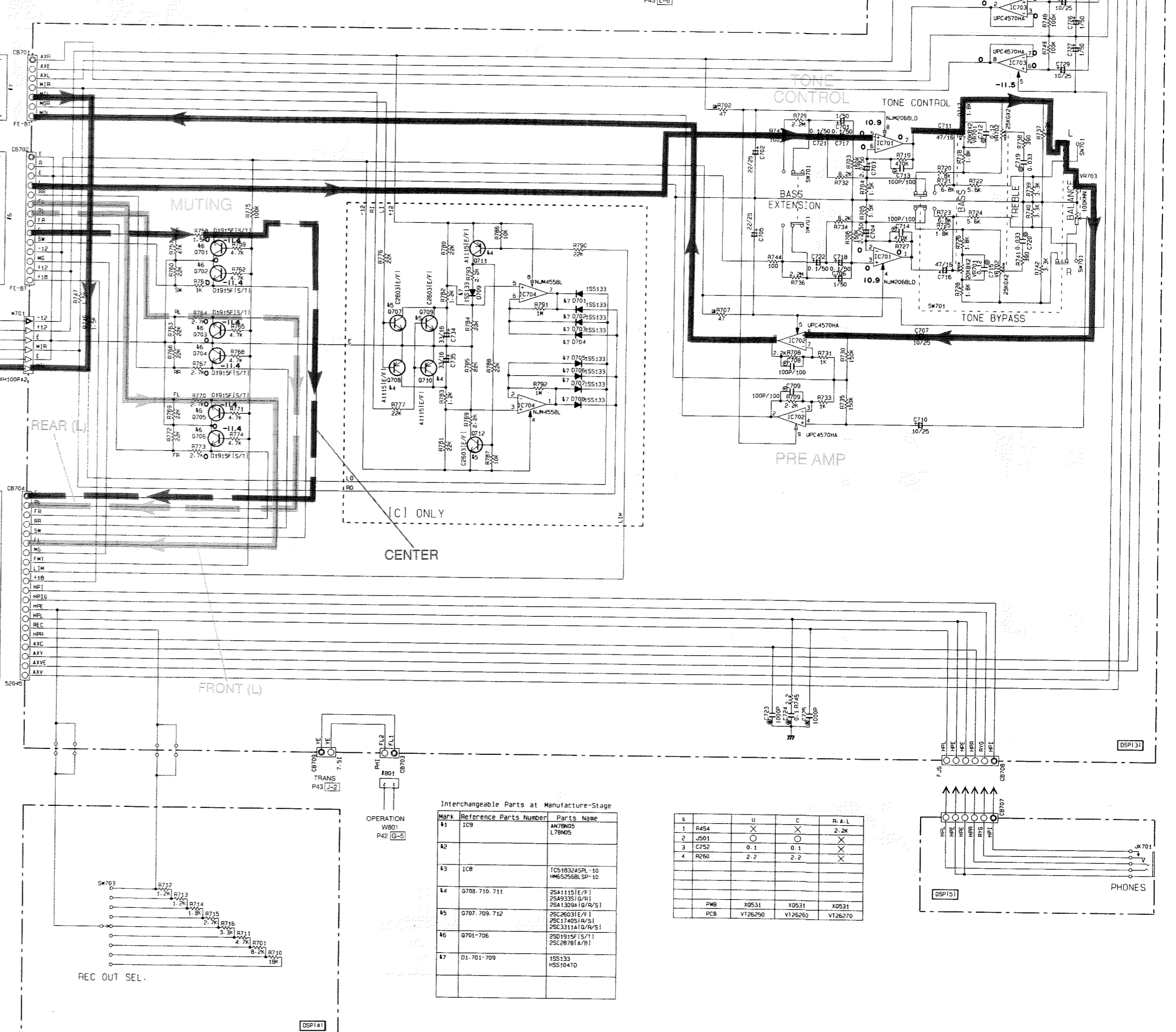
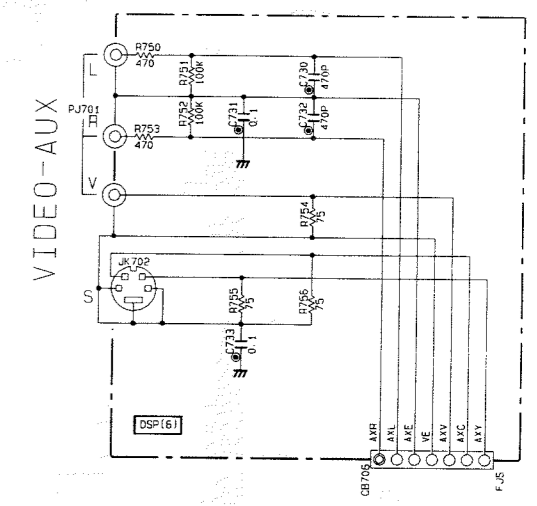


REMARKS	PARTS NAME	REMARKS	PARTS NAME
NO MARK	CARBON FILM RESISTOR (P-15)	NO MARK	ELECTROLYTIC CAPACITOR
⊖	CARBON FILM RESISTOR (P-10)	⊖	ELECTROLYTIC CAPACITOR
△	METAL OXIDE FILM RESISTOR	△	CERAMIC CAPACITOR
■	METAL FILM RESISTOR	■	CERAMIC TUBULAR CAPACITOR
□	METAL PLATE RESISTOR	○	POLYESTER FILM CAPACITOR
◇	FIRE PROOF CARBON FILM RESISTOR	○	POLYSTYRENE FILM CAPACITOR
⊕	CEMENT MOUNTED RESISTOR	○	MICA CAPACITOR
⊙	WIRE WOUND RESISTOR	○	POLYPROPYLENE FILM CAPACITOR
⊚	SLIM VARIABLE RESISTOR	●	SEMICONDUCTIVE CERAMIC CAPACITOR
⊛	COIL RESISTOR		



CASE	IC301,303 (*)	IC3 (L/R)	IC3 (NOISE DOLBY L/R)	IC3 (FRONT)	IC3 (FRONT)
TAPE MONITOR OFF	ON	11, 12	25, 26	22, 23	22, 24
TAPE MONITOR ON	OFF	ON	OFF	OFF	10, 11
EFFECT OFF	---	---	---	---	---
HIFI DSP PROGRAM (2)	---	ON	OFF	OFF	OFF
CINEMA DSP PROGRAM (3)	---	ON	OFF	ON/OFF (4)	---
DOLBY PRO LOGIC	---	---	OFF	OFF	OFF
CENTER MODE NORMAL	---	---	---	ON	---
CENTER MODE WIDE	---	---	---	---	OFF
TEST DOLBY	OFF	OFF	OFF	ON	ON
TEST DSP	OFF	OFF	OFF	OFF	ON/OFF
DIAG. No.2 (FRONT CHECK)	---	OFF	ON	OFF	ON

(*) : P-3 FUNCTION (1)
 (2) : CONCERT HALL/CHURCH/JAZZ CLUB/ROCK CONCERT/STADIUM
 (3) : SPORTS/TV THEATER/70mm MOVIE THEATER/ENHANCED
 (4) : FRONT MIX OFF



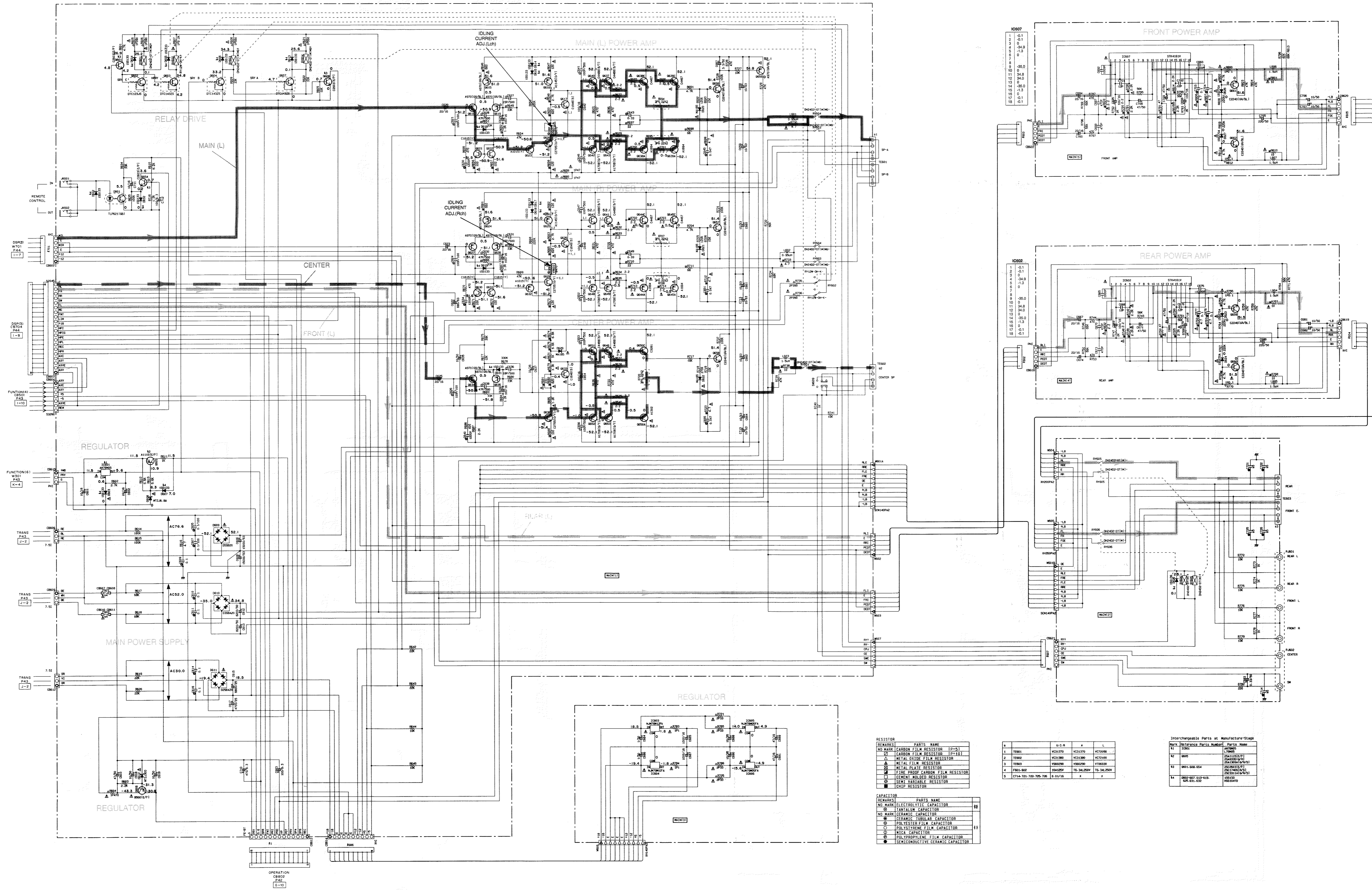
Interchangeable Parts at Manufacturer-Stage

No.	Reference Parts Number	Parts Name
41	ICP	ICP
42	ICR	ICR
43	ICR	ICR
44	ICR	ICR
45	ICR	ICR
46	ICR	ICR
47	ICR	ICR

U	C	R	N	L
1	2	3	4	5
1	2	3	4	5
1	2	3	4	5
1	2	3	4	5

All voltage are measured with a 10MΩ/DC electric volt meter.
 Components having special characteristics are marked △
 and must be replaced with parts having specifications equal
 to those originally installed.
 Schematic diagram is subject to change without notice.

■ SCHEMATIC DIAGRAM (MAIN)



RESISTOR

REMARKS	PARTS NAME
NO MARK	CARBON FILM RESISTOR (P-S)
△	CARBON FILM RESISTOR (P-TIG)
○	METAL OXIDE FILM RESISTOR
▲	METAL FILM RESISTOR
□	METAL PLATE RESISTOR
■	FIRE PROOF CARBON FILM RESISTOR
◇	CEMENT WOUND RESISTOR
●	SEMI VARIABLE RESISTOR
◆	CHIP RESISTOR

CAPACITOR

REMARKS	PARTS NAME
NO MARK	ELECTROLYTIC CAPACITOR
○	TANTALUM CAPACITOR
●	NO MARK CERAMIC CAPACITOR
○	CERAMIC JUBILAR CAPACITOR
○	POLYESTER FILM CAPACITOR
○	POLYSTYRENE FILM CAPACITOR
○	MICA CAPACITOR
○	POLYPROPYLENE FILM CAPACITOR
●	SEMICONDUCTIVE CERAMIC CAPACITOR

	U.C.B.	A	L
1	VC3370	VC3370	VC7000
2	VC3380	VC3380	VC7200
3	VC5020	VC5020	VC6030
4	VC5030	VC5030	VC6040
5	VC5040	VC5040	VC6050

Interchangeable Parts at Manufacture's Stage

Part No.	Interchange Part No.	Part Name
81	10R01	RESISTOR
82	8000	RESISTOR
83	8001-8004	RESISTOR
84	8005-8010	RESISTOR

All voltage are measured with a 10MΩ/DC electric volt meter.
 Components having special characteristics are marked △ and must be replaced with parts having specifications equal to those originally installed.
 Schematic diagram is subject to change without notice.